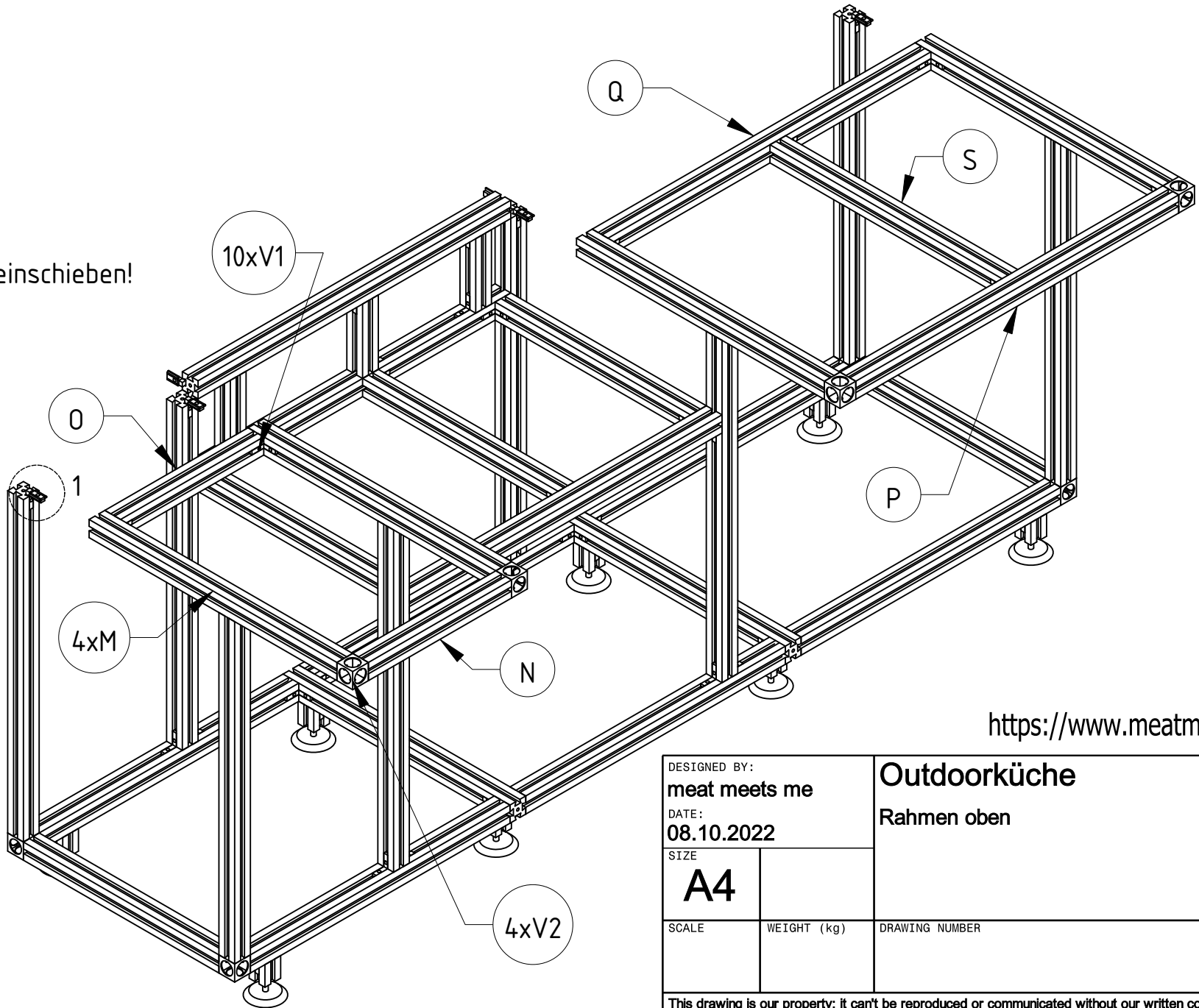
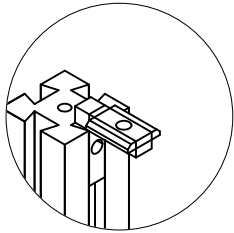


Erst 4 x Innenwinkel einschieben!



<https://www.meatmeetsme.de>

| | | | | |
|---|-------------|------------------------------------|-------|--|
| DESIGNED BY: meat meets me | | Outdoorküche Rahmen oben | | |
| DATE: 08.10.2022 | | | | |
| SIZE: A4 | | | | |
| SCALE | WEIGHT (kg) | DRAWING NUMBER | SHEET | |
| | | | | |
| This drawing is our property; it can't be reproduced or communicated without our written consent. | | | | |